

SCALE-gon ★★ ★

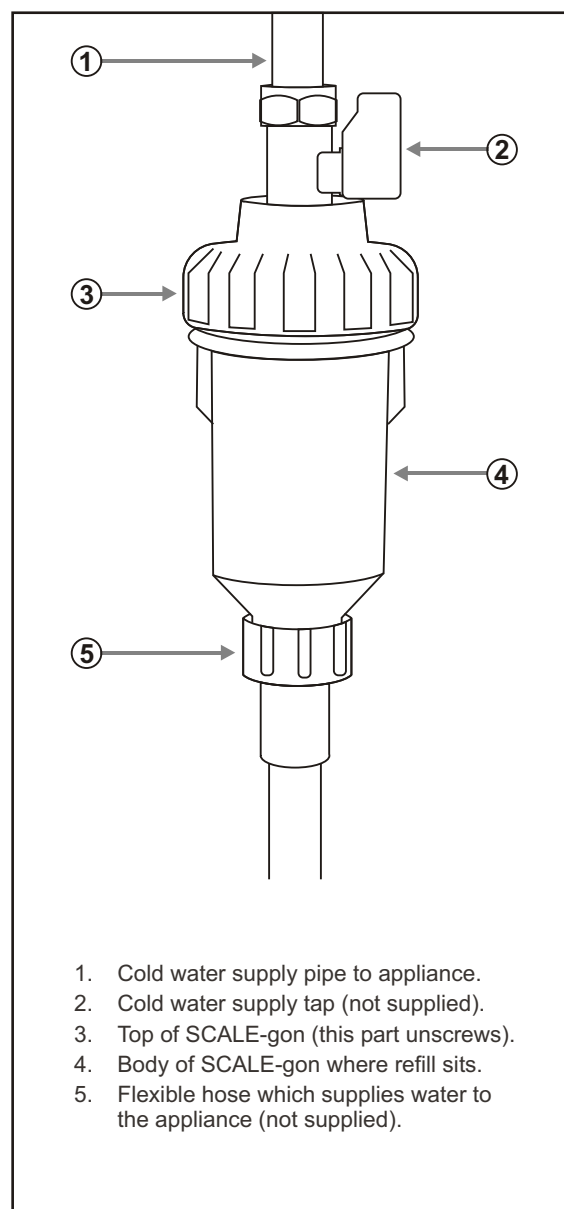


SCALE-gon in situ



Refilling of SCALE-gon

Fitting Diagram



Fitting Instructions

1. Switch off the water supply to your appliance.
2. Attach the top of the SCALE-gon unit to the cold water supply tap by screwing it on, ensuring that the rubber seal is in place inside the top of the SCALE-gon unit.
3. Attach the bottom of the SCALE-gon unit to the flexible hose that supplies your appliance with cold water by screwing it on. Again, ensuring that the rubber seal is in place inside the hose fitting.
4. Switch on the cold water supply and check for leaks.
5. Your SCALE-gon unit is now at work protecting your appliance from limescale damage and build up.
6. The crystals inside the SCALE-gon unit should be replaced every six months, each bottle of replacement crystals contains a twelve month supply.

Refill Instructions

1. Switch off the water supply to your SCALE-gon. Separate the two halves of your SCALE-gon unit by unscrewing the bottom half anti-clockwise.
2. Disregard the old crystals with your household waste and refill with new crystals, ensuring all rubber seals are where they should be and intact.
3. Screw the two halves of the unit back together and switch the water supply back on, testing for leaks.
4. The SCALE-gon crystals should be replaced every six months, each bottle of replacement crystals contains a twelve month supply.