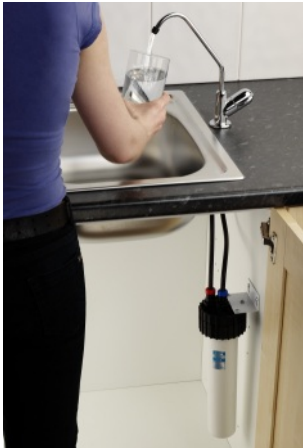


Aquamaster Pearl



Aquamaster Pearl in situ



Refilling of Aquamaster Pearl

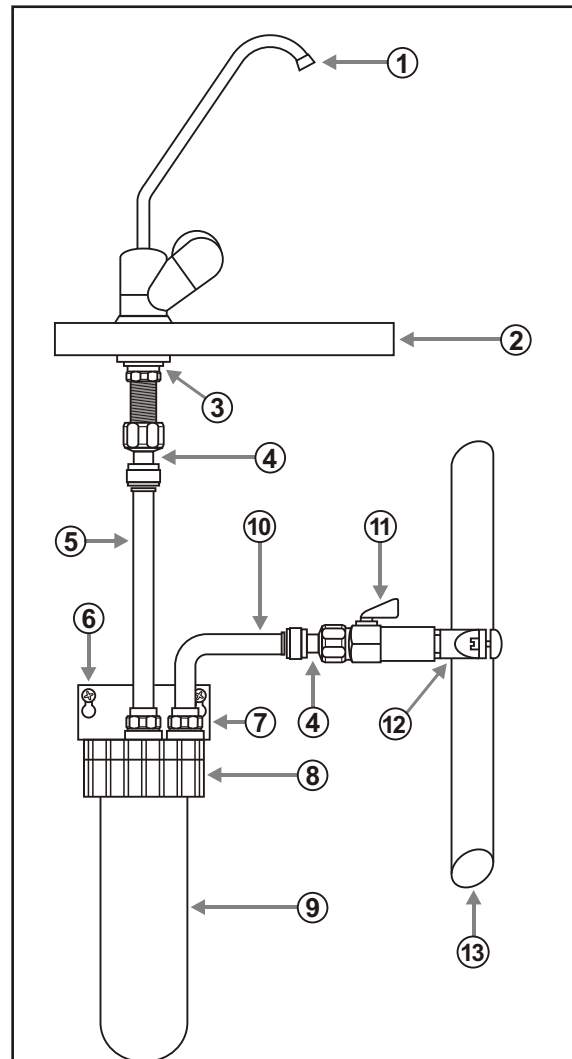
Fitting Instructions

1. Locate the chrome tap next to the edge of a sink ensuring the end of the tap is over the sink.
2. Drill a 25mm hole in your chosen location. Push the threaded base of the tap through the hole and secure with the washer and locking nut. Fit the push fit connector and tube.
3. Site the self-drilling tap on the mains water pipe within 1 metre of the sink tap. Ensure the cutting tip does not protrude beyond the rubber washer inside the clamp and the tap is off (90° to the body). Put the clamp around the pipe, tighten the screw, firmly holding the clamp in place. Screw the tap body onto the clamp until you feel resistance. Turn the body 2½ turns to penetrate the water pipe. Spanner tighten the locking nut onto the clamp.
4. Site the filter within 1 metre of both the sink tap and self-drilling tap. The bracket should be positioned 11 - 12" off the floor or base of cupboard. Using the screws provided, fix the bracket to the filter body and wall/cupboard. Filter is mounted vertically.
5. Measure a length of tube between the sink tap and blue push fit connector on the filter lid, add 2cm for insertion. Cut tube with clean cut ends. Push tube firmly into both push fit connectors.
6. Measure a length of tube between the self drilling tap and red push fit connector on the filter lid, again add 2cm. Cut tube with clean cut ends. Push tube firmly into both push fit connectors.
7. Check all fittings are tight. Open the sink tap, turn on the self-drilling tap and adjust it to a max flow rate of 2 litres per minute.
8. Before use, flush water through for at least 5 mins. The water may be greyish at first but this is normal and harmless.

Refill Instructions

1. Turn off the self-drilling tap on the water pipe. Check that the water supply is off by turning on the sink tap.
2. Unscrew the black top of the filter body, remove the old filter from the cannister and replace with new. Screw back together.
3. Turn on the self-drilling tap. Adjust flow as above. Flush through.

Fitting Diagram



- | | |
|--|--|
| 1. Chrome tap. | 8. Top of filter unit (unscrewable). |
| 2. Working surface or sink top (not supplied). | 9. Body of filter unit. |
| 3. Washer and locking nut. | 10. Black tubing. |
| 4. Push fit pipe connector. | 11. Self-drilling tap. |
| 5. Black tubing. | 12. Clamp on self-drilling tap. |
| 6. Mounting bracket. | 13. Cold water supply pipe (not supplied). |
| 7. Blue and red push fit pipe connectors. | |